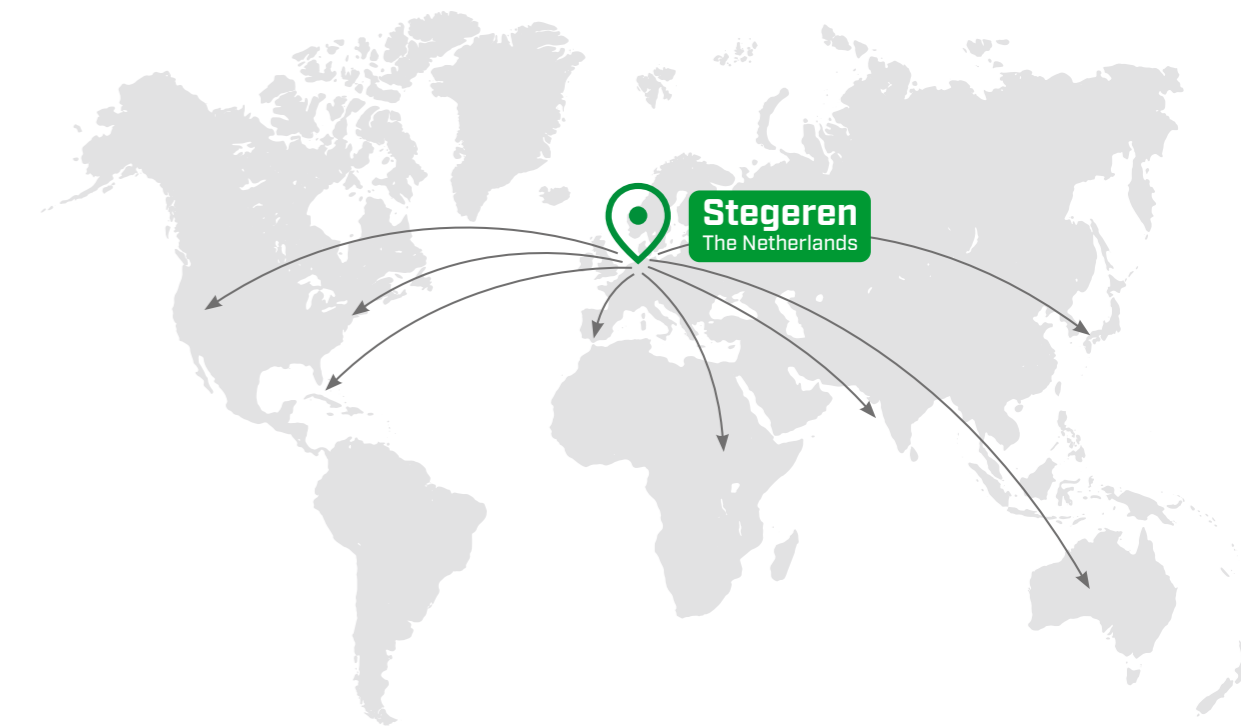




**Robust wood chippers, grinders and shredders
for industrial use**

About us

Our company's roots are deeply anchored in the agricultural and forestry world since year 1986. We are working together with Farmi Forest and Junkkari Finland for the supply and distribution of PTO disc chippers since year 1999. We are sole agent in Europe for all Precision Husky sawmill equipment and chippers and grinders since 2004. We do rotary debarkers for Europe territory and since 2000 we did the distribution and selling of Woodsman chippers in Europe till it was aquired by Terex. Parallel we began with design and production of our own Europe Chippers. Right now we have a full line of Europe Chippers, Europe Grinders and Europe Shredders, from 14 to 1000 HP that take from 140 to 1000 mm diameter logs.



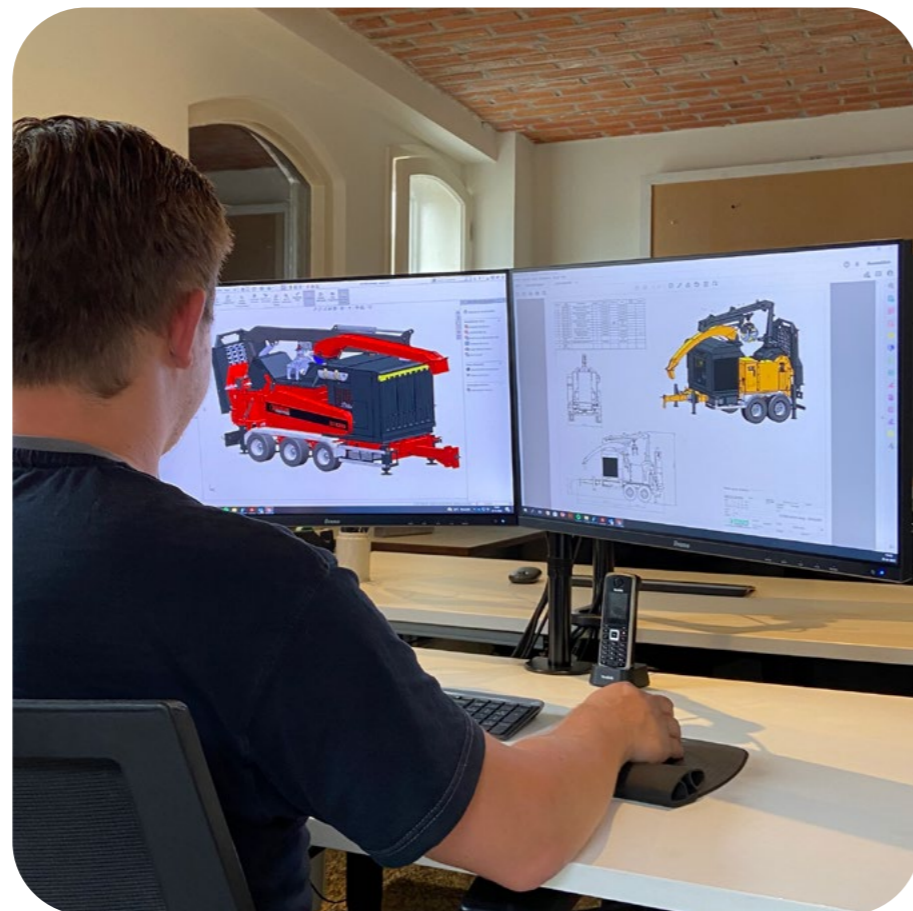
Our mission

Based on agricultural principles, smart innovations and listening to our clients worldwide, we deliver custom made forestry equipment for industrial use on all 5 continents.



Sales conversation

We ask about the material going in, and what capacity and size you expect to come out. We build a custom made machine performing exactly according to your expectations.



Engineering

We build modular like LEGO. You can add general options, power options, transport options and crane options on any basic unit for any Europe Chipper, Europe Grinder or Europe Shredder.



Construction

We use the highest quality steel such as S350 and Strenx 700 performance steel, doing 700 KG/mm² according to EN 10149-2.



Commissioning

World wide, we visit you at your place to instruct your workers and to put your machine into operation.



DC 285

Starter model Disc Chipper

Disc Chipper for high quality uniform wood chips. PTO or stationary electro.

DC 285 electro is for "industrial" chip production 3-20 mm. 45° infeed angle = self-feeding.



DC 285

 Our wood chippers are fully customizable

standard:

- infeed opening 260 x 260 mm / 10 x 10"
- weight 950 kg
- automatic no stress
- 4 knives + 2 counter knives
- RPM 540 - 1000
- three-point hitch
- on board hydraulics + powerfeed
- electric hydraulic operated

optional:

- brush knives 4x
- stationary + electro
- screen for micro chips
- crane infeed
- walterscheid PTO free running + overload protection
- chute extension



up to
25 m³/h



50 -
100 hp



logs up to
260 mm



DC 385

Professional Disc Chipper

Our Disc Chippers are famous for high quality uniform size wood chips. Sharp knives give the lowest needed horse power. Self feeding 45° infeed angle.



DC 385

 Our wood chippers are fully customizable

standard:

- infeed opening 350 x 400 mm / 14 x 16"
- weight 3500 kg
- automatic no stress + powerfeed for toproller
- 4 knives + 2 counter knives
- RPM 540-1000
- on board hydraulic system
- 3 point hitch
- electric hydraulic operated

optional:

- brush knives 4x
- stationary + electro 150 kw
- crane mounting plate + crane
- walterscheid PTO free running + overload protection
- closed hydraulic infeed chain or bottom roller
- chute extension



up to
60 m³/h



100 -
200 hp



logs up to
350 mm



EC 640

The easy transporter

You will not find any better lightweight wood chipper including tandem chassis, push brakes, 190 HP engine, Palms crane with total weight 3500 kg, average fuel 15200 L diesel over 2000 hours.



EC 640

 Our wood chippers are fully customizable

standard:

- infeed opening 600 x 400 mm / 24 x 16"
- tandem chassis 2x 2500 kg + push brakes
- Strenx 700 steel: 70 kg per mm²
- 190 hp Cat or Perkins engine
- wear plates under drum and in the pipe
- mechanical clutch WPT
- electric hydraulic operated manual override
- hydraulic top roller + reduction gear + downpressure
- Europe controller with vario chip + constant chip

optional:

- remote control with joysticks for chipper, crane and engine
- German TÜV certificate and road legal in European Union
- load sensing oil pump 100 liters/minute
- action/warning plates for traffic
- 2x hydraulic legs replacing mechanical legs
- hydraulic bottom infeed roller + reduction gear
- Palms crane



up to
70 m³/h



190 hp



logs up to
400 mm



EC 850

Most economical chipper

The EC 850 is the perfect combination of compact design and maximum capacity up to 100 m³/h with 275 hp diesel or electric power.



EC 850

 Our wood chippers are fully customizable

standard:

- infeed opening 800 x 500 / 32 x 21"
- weight 7.900 kg / 17.400 lbs *
- 275 hp Cat C71 engine
- 3 staggered knives + 1 counter knife
- 50 cm closed infeed chain
- tandem chassis + air brakes
- toploller + reduction gear + downpressure
- hydraulic clutch WPT

*chipper + engine + tandem chassis

optional:

- aggressive infeed chain + reduction gear
- tracks or electric stationair
- extra open infeed chain in table
- load sensing, oil pump + oil cooler
- Flexxaire/Cleanfix self cleaning radiator
- Palms 4.71 or 5.85 crane crane
- German TÜV certificate and road legal in European Union
- Europe controller with "vario chip" and "constant chip"



up to
100 m³/h



275 hp



logs up to
500 mm



EC 1060

The allrounder

Our EC 1060 is our best selling Europe Chipper with a 456 hp Cat engine. This chipper does up to 120-150 m³/h. Chip size G30/G50/G100/G120



EC 1060

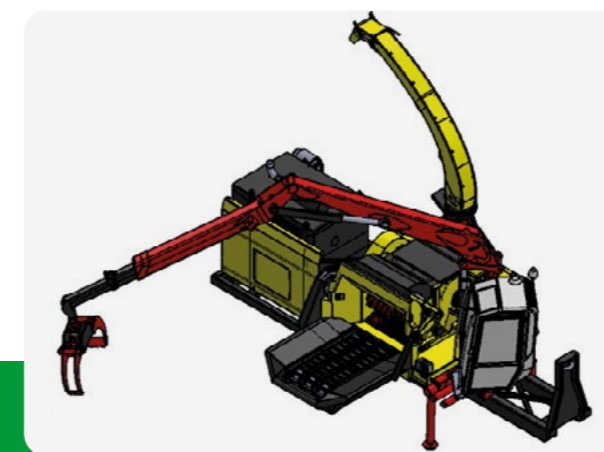
 Our wood chippers are fully customizable

standard:

- infeed opening 1000 x 625 mm / 40 x 25"
- weight 11,000 kg
- screens 70/90/110 mm
- discharge height with pipe 4,9 m 400° rotating
- diesel/electric/PTO possible 456 hp Cat C9.3B
- hydraulic legs 4x
- average fuel consumption:
4500 hours = 25080 gallons = 94.927 liter

optional:

- aggressive vertical infeed rollers plus reduction gears
- self-cleaning radiator for oil, water and air
- full radio remote control for chipper, crane and engine
- 3x open infeed chain plus hydraulic infeed table foldable
- tracks 15 tons capacity, LxW 2500x500 mm
- tandem chassis 80 km/h German TÜV certificate
- Palms crane 7.94 up to 2 tonnes and 5 meter reach
- Europe controller with "vario chip" and "constant chip"



up to
150 m³/h



456 hp



logs up to
600 mm

EC 1290

Top of the bill

Biggest serial build wood chipper from the Netherlands. Venturi system, no power consumption for discharge, no blower, no paddles, no dust production, no damaged woodchips.



EC 1290

 Our wood chippers are fully customizable

standard:

- infeed opening 1200 x 900 / 47 x 35"
- total weight 26.000 kg including crane and tridem
- compact design
- LxWxH: 8,4 x 2,5 x 4,0 meters
- 800 hp Cat C18
- discharge height 5.5 meters 400 degrees rotating
- mechanical override for all hydraulics
- Europe controller with vario chip + constant chip

optional:

- full radio remote + joysticks for chipper, crane and tracks
- screens 90 - 110 - 130 mm
- aggressive side infeed rollers + reduction gears
- tracks 30 tonnes 60 cm wide + rubber pads 3500 mm
- tridem chassis 3 x 9 tonnes + air brakes
- crane 10 tonnes 10 meter
- German TÜV certificate and road legal in European Union



up to
250 m³/h



800 hp



logs up to
900 mm



Europe Grinders

From the agricultural world we take bottom infeed, overtop rotor with hammers, nitrided wear plates, integrated screen and bottom discharge. Friction between the hammers and wear plates opens all the fibres.

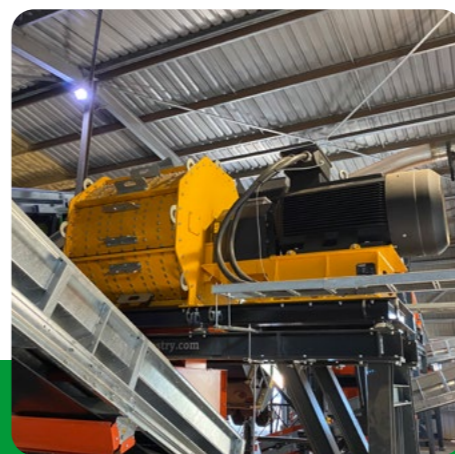


EG 830/1250/1660

 Our wood grinders are fully customizable

- output determined by: size of screens, RPM overtop rotor and speed of infeed augers
- the latest load-sensing software
- Europe Grinders open the fibres of the wood chips to make the drying process more efficient
- input from soaking wet to powder dry: the grinder never blocks

	EG 830	EG 1250	EG 1660
production	30 m ³ /h = 6000 kg/h	45 m ³ /h = 9.000 kg/h	60 m ³ /h = 12.000 kg/h
weight rotor	1500 kg	2000 kg	2500 kg
width	830	1270	1670
diameter	1200	1200	1200
hammers steel 600	240 + reinforced	360 + reinforced	480 + reinforced
plates	36 + nitrided	54 + nitrided	72 + nitrided
power electric	160 kw	250 kw	315 kw
infeed augers	2x 3 kw	3x 3 kw	4x 3 kw
chassis + dampers	yes	yes	yes
stainless steel bunker	yes 2000 x 1000	yes 2500 x 1000	yes 2500 x 1000
max size infeed	60x30x20 mm	60x30x20 mm	60x30x20 mm



30- 60
m³/h



160-
300 kw



input
max G100



Europe Shredders

Universal mobile slow speed two shaft shredder
For concrete waste, waste wood, green wood, industrial waste, household waste, old tires, railway sleepers



ES 680

 Our wood shredders are fully customizable

- infeed 136x136 cm
- 2 shafts
- 235 HP Volvo engine
- conveyor height 3,2 meter
- radio remote control for shredder and tracks
- quick change cassettes for changing rotors
- four different programs for concrete, steel, wood and compost possible
- star screen under discharge possible
- slide in screen under rotors possible
- overbelt magnet possible
- maximum engine acces
- asynchrone rotor drive
- tracks 2,5 km/h, 270x40 cm
- total weight 15 tonnes



70 m³/h



235 hp



trunks and roots up to 1,3 m Ø



ES 680



DC 285



DC 385



EG 830



EG 1250



EG 1660



EC 640



EC 850



EC 1060



EC 1290

Overview

Europe Chippers	max Ø	HP up to	capacity up to	infeed opening	output ö-norm M133
DC 285	26 cm	100	30 m ³ /h	260 x 260 mm	G30/G50
DC 385	35 cm	200	60 m ³ /h	350 x 400 mm	G30/G50/G100
EC 640	40 cm	190	70 m ³ /h	600 x 400 mm	G30/G50/G100
EC 850	50 cm	275	100 m ³ /h	800 x 500 mm	G30/G50/G100
EC 1060	60 cm	456	150 m ³ /h	1000 x 600 mm	G30/G50/G100
EC 1290	90 cm	900	250+ m ³ /h	1200 x 900 mm	G30/G50/G100/G120

Europe Grinders	max size input	kw	capacity up to	infeed opening	output
EG 830	6 x 3 x 2 cm	160 kw	30 m ³ /h	60 x 830 mm	
EG 1250	6 x 3 x 2 cm	250 kw	45 m ³ /h	60 x 1250 mm	
EG 1660	6 x 3 x 2 cm	300 kw	60 m ³ /h	60 x 1660 mm	

Europe Shredders	max Ø rotor	HP	capacity up to	infeed opening	output
ES 680	2x 68 cm	200	depends on input material	1360 x 1360 mm	



Preferred partners & dealership



Precision Husky

Europe Forestry is sole agent of Precision Husky for the total European territory. Precision Husky is market leader for professional industrial Sawmill Equipment. Precision Husky offers a wide range of stationary and mobile wood chippers, grinders and accessoires, as disc chippers, screens, conveyors, debarkers, log decks and so on. Up to 350 tonnes per hour. All Precision Husky machines come with European homologation and CE documents.



AJP

AJP Rotary log debarkers extreme heavy duty mobile diesel or stationary electric. Rotary debarkers have 2/3/4 rotors with optimal contact between debarking kickers and log surface over a 3-9 meter length. The system is designed to debark various types and diameters of wood year-round. Capacity up to 40-60 tonnes/hour, based on fresh wood. With log diameters between 7 and 75 mm. Less than 1% bark. European Homologation.



Barber

The Barber Surf Rake is the world's most popular beach cleaning machine and is used in over 90 countries and 5 continents with capacity up to 3,5 ha per hour. As a tractor-towed machine, it is ideal for cleaning every size beach up to 35000 m²/h. Barber beach cleaning machines are effective in removing beach pollution such as seaweed, dead fish, glass, syringes, plastic, cans, cigarettes, shells, stone, wood, oil and tar balls. The big difference with all our competitors is that Barber only does the picking. There is no need for screening, so we can work in rain and snow. We need 50% less energy for high speeds beach cleaning up to 20 km/h.

Follow us online!



Europe Forestry
facebook.com/europeforestry



Europe Forestry
@europeforestry



Europe Forestry B.V.
linkedin.com/company/15851244



Are you interested?

Don't hesitate to get in touch, we are happy to assist you!

☎ +31 529 46 12 66

✉ info@europeforestry.com

🌐 europeforestry.com

📍 Stegerdijk 13
7737 PT Stegeren
The Netherlands

*Subject to misprints, errors and modifications.
Visit our website for current specifications and possibilities.*