



EC 1060

The allrounder

Our EC 1060 is our best selling Europe Chipper with a 456 hp Cat engine. This chipper does up to 120-150 m³/h. Chip size G30/G50/G100/G120



EC 1060

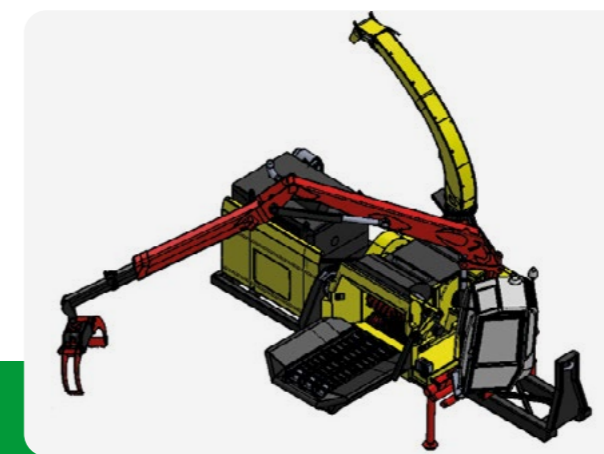
 Our wood chippers are fully customizable

standard:

- infeed opening 1000 x 625 mm / 40 x 25"
- weight 11,000 kg
- screens 70/90/110 mm
- discharge height with pipe 4,9 m 400° rotating
- diesel/electric/PTO possible 456 hp Cat C9.3B
- hydraulic legs 4x
- average fuel consumption:
4500 hours = 25080 gallons = 94.927 liter

optional:

- aggressive vertical infeed rollers plus reduction gears
- self-cleaning radiator for oil, water and air
- full radio remote control for chipper, crane and engine
- 3x open infeed chain plus hydraulic infeed table foldable
- tracks 15 tons capacity, LxW 2500x500 mm
- tandem chassis 80 km/h German TÜV certificate
- Palms crane 7.94 up to 2 tonnes and 5 meter reach
- Europe controller with "vario chip" and "constant chip"



up to
150 m³/h



456 hp



logs up to
600 mm