

# KWIK-CHIP

The most famous chipper and screen unit in the world. Hundreds of units are operating in wood producing countries around the globe. Engineered for easy maintenance and installation. Built in sizes from 38" to 75", electric or diesel.



The unique combination of the Precision Chipper design allows more anvil contact which prevents wood slapping and turning producing a better chip. The high volume screen has a significantly larger screen surface and steeper sloped decks insuring higher production. This high volume KWIK-CHIP, as all Precision equipment, is engineered for performance and built for endurance. With a self contained drive the HV is low maintenance with trouble-free operation. Contact Precision with your production goals and they will engineer a unit to fit your needs and an arrangement to fit your mill.



## Larger infeed on 48", 58" and 66" KWIK-CHIP Chippers.

The standard oversized spout allows the 48" chipper to accommodate 27" slabs, while the 58" chipper accepts 34" slabs and the 66" will accept slabs up to 3 feet.

*Specifications given were approved at the time of initial printing and are subject to change without notice and without incurring any liability.*

# PRECISION

SAWMILL SERIES  
KWIK-CHIP UNITS



Sales and Service



www.precisionhusky.com

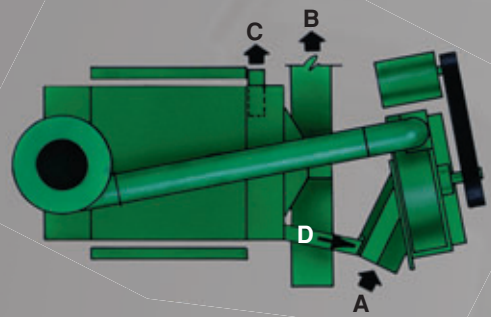
Engineered for Performance, Built for Endurance

P.O. Drawer 507 • Leeds, Alabama 35094 • Phone (205) 640-5181 • Fax (205) 640-1147 • Email: sales@precisionhusky.com

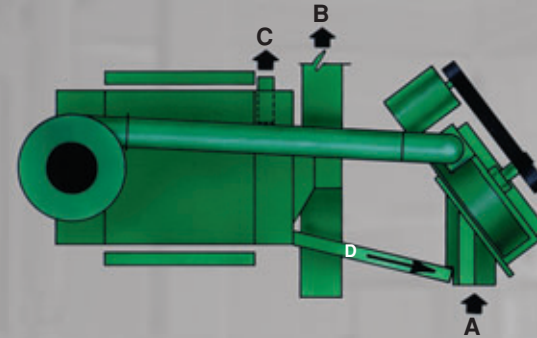
# PRECISION

SAWMILL SERIES  
KWIK-CHIP UNITS

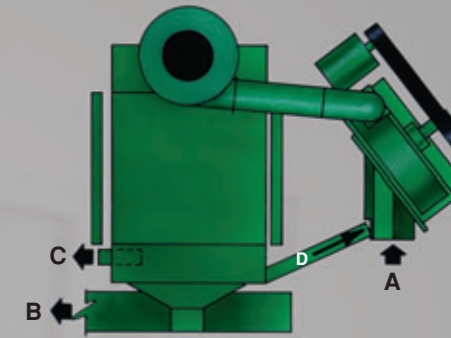
A - Chipper In-Feed  
B - Chip Discharge  
C - Fines  
D - Oversize Chips



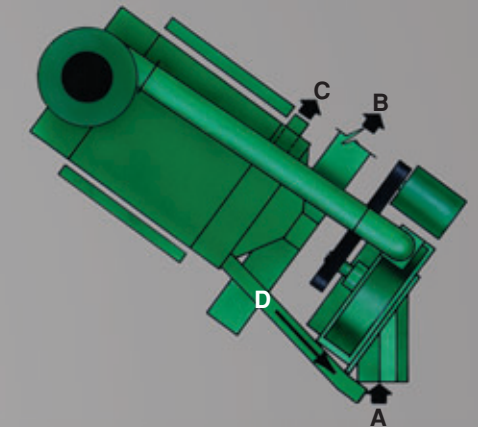
Frame No.	Chipper	Screen
207	48"	PCS-55
208	58"	PCS-66
209	38"	PCS-55
210	66"	PCS-77
211	48"	PCS-77



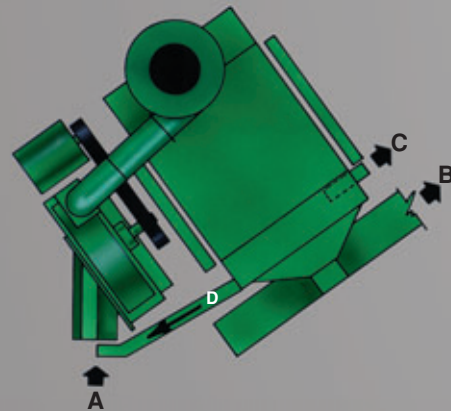
Frame No.	Chipper	Screen
216	48"	PCS-55
235	58"	PCS-66
227	38"	PCS-55
260	66"	PCS-77



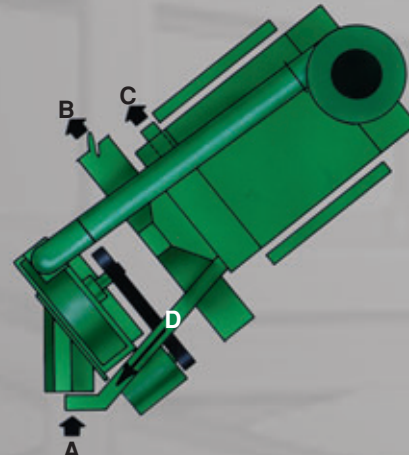
Frame No.	Chipper	Screen
226	48"	PCS-55
237	58"	PCS-66
246	38"	PCS-55
212	66"	PCS-77



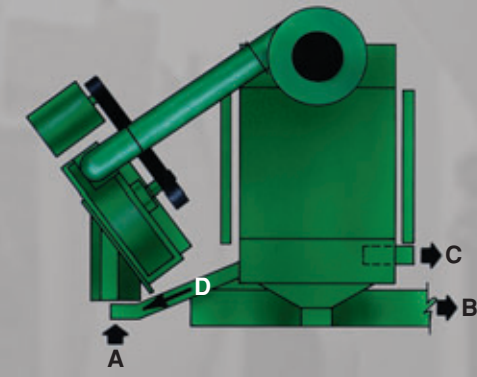
Frame No.	Chipper	Screen
238	48"	PCS-55



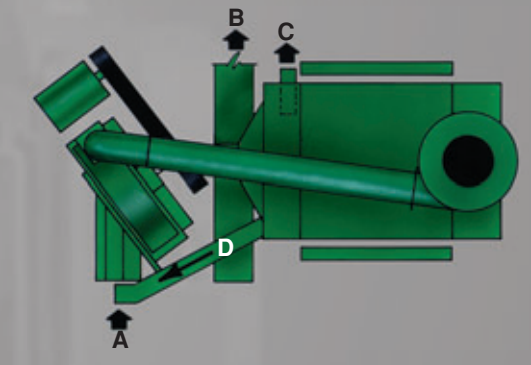
Frame No.	Chipper	Screen
219	48"	PCS-55
214	58"	PCS-66
274	38"	PCS-55
213	66"	PCS-77



Frame No.	Chipper	Screen
218	48"	PCS-55
220	58"	PCS-66
256	38"	PCS-55
255	66"	PCS-77



Frame No.	Chipper	Screen
230	48"	PCS-55
231	58"	PCS-66
247	38"	PCS-55
229	66"	PCS-77



Frame No.	Chipper	Screen
244	48"	PCS-55
242	58"	PCS-66
257	38"	PCS-55
258	66"	PCS-77

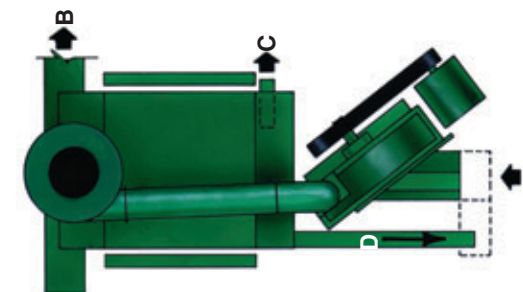
KWIK-CHIP components can be positioned to fit your existing space. These nine arrangements are the most common. Other arrangements may be specified, all available in left or right-hand configurations. Chippers and screens are engineered for ease of maintenance in sizes 38" to 75". Size configurations for a 66" unit are shown. Larger size units are produced and the component parts can be located to fit existing systems. Utilizing the exclusive Precision TRUE-SLICE chipper, which produces uniform chips with less horsepower. KWIK-CHIP operates in mills with capacities from six to 200 MBF per shift. Diesel powered units available, please consult the factory for details.

## OPTIONAL "WYE" VALVE



A quick turn of the optional "Wye" valve directional handle

changes chip flow from one bin or chip trailer to another.



\*Additional cost for rear discharge screen. Consult factory for additional option.

## Typical Rear Discharge Screen Arrangement.

Frame No.	Chipper	Screen
215	48"	PCS-55
225	58"	PCS-66
217	38"	PCS-55
223	66"	PCS-77