

NEW

EC 960



UP TO 120 M<sup>3</sup>/H. UP TO 275 HP. UP TO 600 MM LOGS.



## EC 960 MODULAR MONSTER

THE EC 960 IS PERFECT FOR LIGHT INDUSTRIAL WORK. IT DOES 120 M<sup>3</sup>/H AND THE SIZE OF THE WOOD CHIPS CAN BE EASILY CHANGED. IT IS COMPACT ENOUGH TO BE TAKEN ANYWHERE, BE IT INTO THE WOODS OR NEXT TO A HIGHWAY.



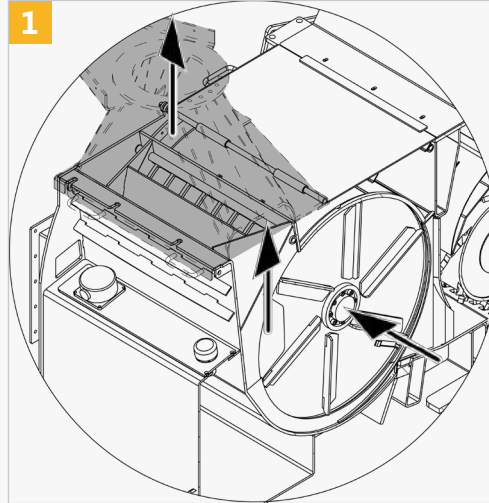
# EC 960 MODULAR MONSTER

1

The EC 960 is equipped with a Venturi system. The Venturi system blows additional air in the funnel behind the drum for smooth discharge of chips through the chute. As this system does not use energy consuming paddles, more engine power is available for chipping wood and the wood chips are not damaged. Another benefit is that there will be little to no dust and debris when chipping. A more uniform chip size is then created. This energy-efficient system ensures a more enjoyable chipping experience.

2

If you prefer to chip wood stationary you can also choose to go with an electro motor instead of a diesel motor. The EC 960 will then make use of the (strong) power supply or a generator. The specifications and the output of the machine will remain the same. Driven by electric power a vast reduction of energy consumption is achieved.



3



3

A longer infeed table can be added to your EC 960. Having a longer infeed table makes feeding wood to the drum a whole lot easier. This option is ideal when you are working with voluminous material, such as branches and pruning waste, and with long, dense trees, such as populus. Once the chains get a hold of the material they will not let go.

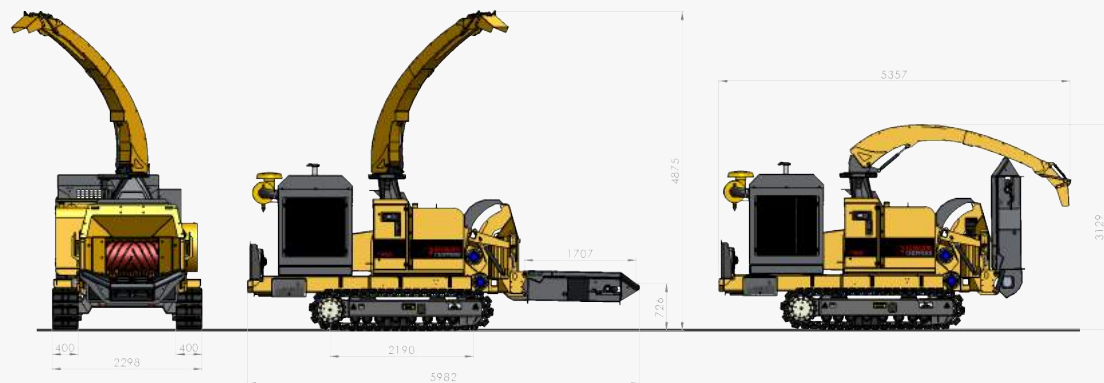




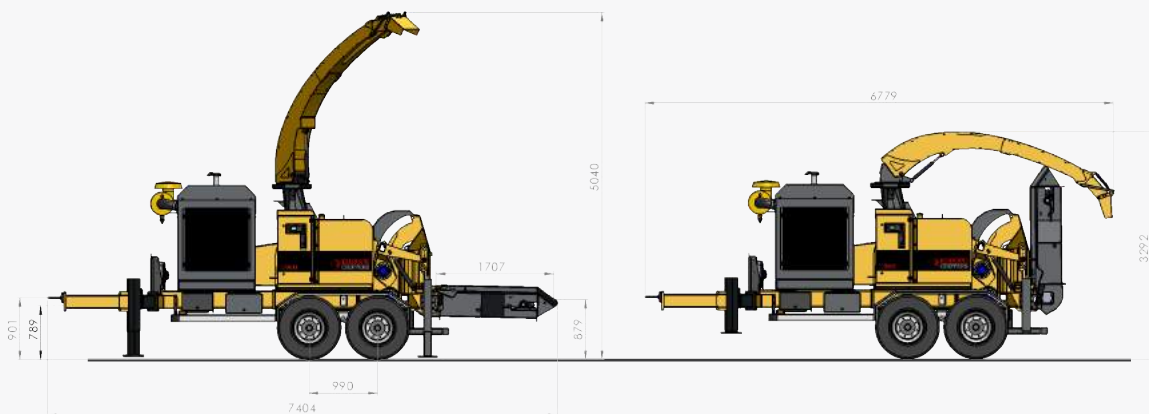
# TECHNICAL SPECIFICATIONS

FRONT VIEW

SIDE VIEW TRACKS



SIDE VIEW TANDEM AXLE



	EC 960	EC 960e	EC 960 PTO
Power	Up to 275 hp	Up to 200 kW	Up to 275 hp
Output	Up to 120 m <sup>3</sup> /h, depending on material		
Infeed opening	900 x 600 mm		
Drum diameter	1000 mm, including knives		
Upper feed wheel	500 x 850 mm (diameter x width)		
Bottom feed wheel	300 x 850 mm (diameter x width)		
Drum rotation speed	Between 1000 and 1200 rpm		
Knives	3 pcs on drum and 1 pc counter knife		
Weight	7.000 kg, including engine and table		
Specifications	Long pipe of 4 m w/ Venturi configuration. Automatic no-stress system. Emergency stop on both sides. Manufactured completely from high grade steel S335, etc.		
General options	Europe controller w/ PLC, colour display and proportional valves. Remote control. Special colour customers' choice with grey RAL 7021. Knife. Counter knife. Screen 50/70/90 mm of Hardox steel. Oil cooler electric extra in combination with sprocket pump. Vertical infeed rolls.		
Power options	275 hp CAT C7.1 Tier IV Final motor. PTO shaft plus pulleys and drive train up to 275 hp. Electrical motor up to 200 kW.		
Transport options	Single axle and tandem axle with hydraulic brake plus draw bar, spring suspension up to 40 km/h road legal or air brakes up to 80 km/h road legal. Optional draw bar eye 50 mm instead of 38 mm. Truck mount frame. Hook lift frame. Extra hook in the rear. 2-speed steel tracks. Rubber pads. Radio remote control for tracks.		
Crane options	Europe Forestry Crane (EFC) 4575 up to 4.5 tons and 7.5 m reach. Mechanical controllers plus seat. Electrical controllers plus 6 pcs Danfoss PVG32 for load sensing pump. Crane mounting plate plus adjustment to chassis. Sprocket pump. Load sensing pump. Grapple 200 or 310. Cabin normal and cabin deluxe. Double legs in front and rear.		